

Conder[®] ASP

Microstations d'épuration à boues activées



robuste - simple - efficace

Conder ASP - 8EH
N° Agrément 2012 - 045

Step 1

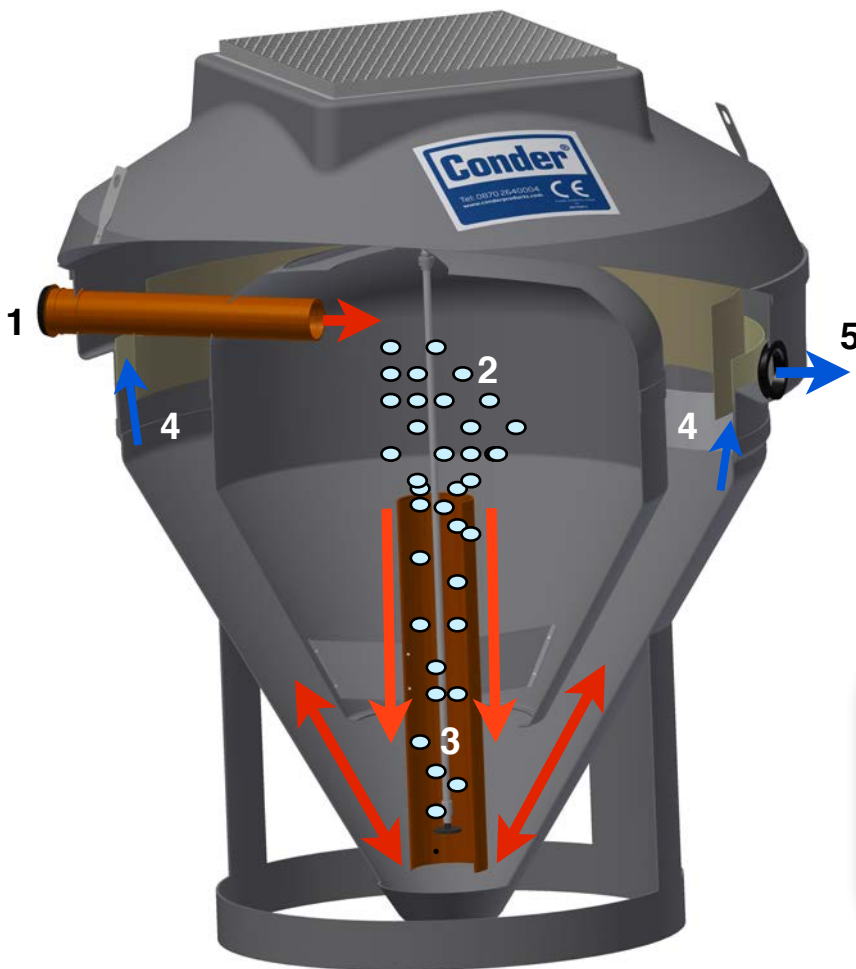
The plant accepts and treats the incoming sewage in the central bio-zone chamber, with use of the extended aeration principle.

Step 2

A simple coarse bubble diffuser, housed in a draft tube, introduces the air that provides the oxygen to the bacteria, which then treats the sewage.

Step 3

The bio-zone then retains the mixture of sewage and bacteria until the level of treatment has been achieved.



1 - Inlet
2 - Biozone
3 - Air diffuser
4 - Settlement Zone
5 - Outlet

The standard range ASP plants produce an effluent quality better than :-
 20mg/L BOD
 30 mg/L SS
 20 mg/L NH₃

Step 4

The treated effluent then enters the settlement zone where settlement takes place. The settled solids are drawn back towards the draft tube, housing the diffuser and are returned via the airlift principle to the bio-zone for further treatment.

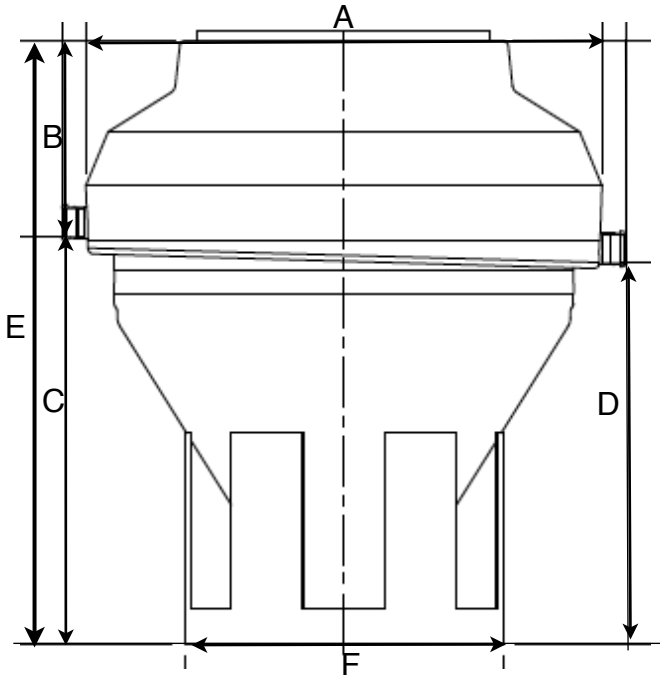
Step 5

The treated (final) effluent subsequently leaves the plant over a weir, at the outlet level, that extends around the circumference of the tank. The movement of the fluid through the whole system is by gravity displacement. The option for an integral final effluent pumped discharge is available.

Emptying of the Conder ASP, should be done when the sludge level reaches a minimum of 30 % of the settlement zone, Approximately every 30 months for 4/5 people. We recommend a service contract . Contact us by email for details

Conder ASP - 8EH
 N° Agrément 2012 - 045
 Activated sludge process

Conder® ASP



Dimensions

A	2000mm
B	750mm
C	1500mm
D	1400mm
E	2250mm
F	1200mm

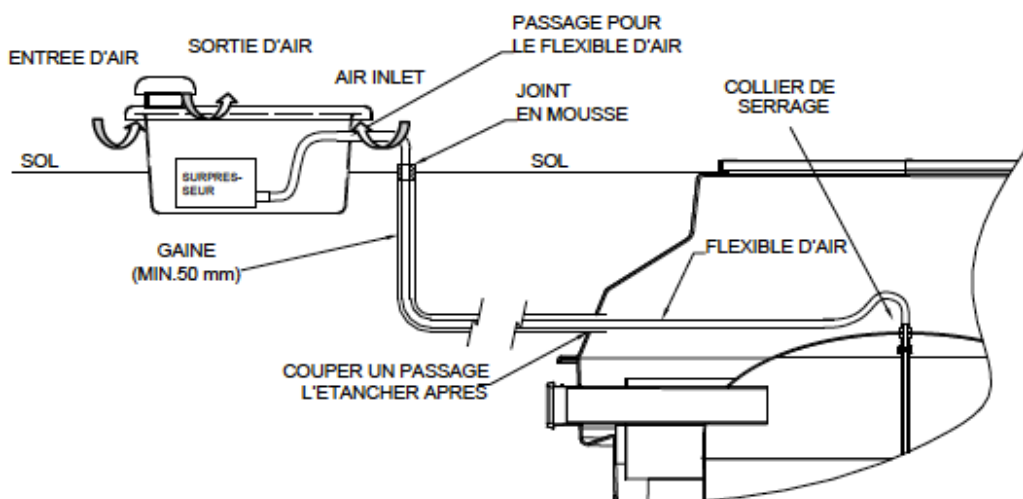
Conder ASP 8 EH

- Upto 8 People/habitants (EH)
- Hydraulic loading : 1200 l/j
- Organic loading : 480g gBOD₅/j
- Pvc pipe diam: 110 mm
- Compressor 90W
- Galvanised steel cover
- Lid opening : 750x750 mm
- Weight : 230 kg
- Material : GRP

Warranty

- Tank : 10 years
- Electrical parts : 2 years

NF EN 12566-3:2005



Conder[®]ASP



Advantages



- French ministry Agrément 2012-045 (Spanc Listing)
- NF EN 12566-3 & CE Marked
- Larger models available ASP20EH & ASP25EH
- A complete below ground installation, compact & innovative design
- Heavy duty GRP tank, that can be fitted in high water table
- Quiet and odourless operation
- No moving parts
- Replaces a septic tank and sand filter
- Excellent treated water that can be discharged into a watercourse
- A permanent waste water solution
- Made in Great Britain
- **Service contracts available**

www.innov-eau.com

Ian Coates, ECOFOSSE

Siret number 48873783400017

LIEU DIT QUICAUD - 47800

ARMILLAC

0553643356

0607497343

www.ecofosse.com



Water Solution Partners

National
Distribution **Conder[®]**
Innov-eau Solutions SASU
ZA Kerlaurent
22570 Gouarec, France
T: (0033) 0296249198
E: info@innov-eau.com